

Liquid & Soil Temperature Sensor

model 06011RM



Package Contents

1. Liquid & Soil Temperature Sensor
2. Zip ties
3. Instruction Manual

This product requires an AcuRite Monitor (sold separately) to be operational.

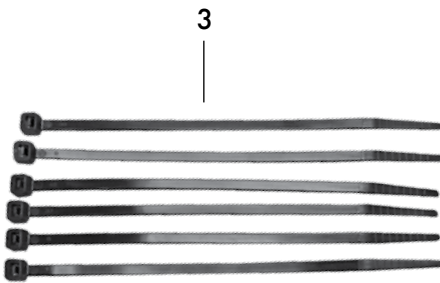
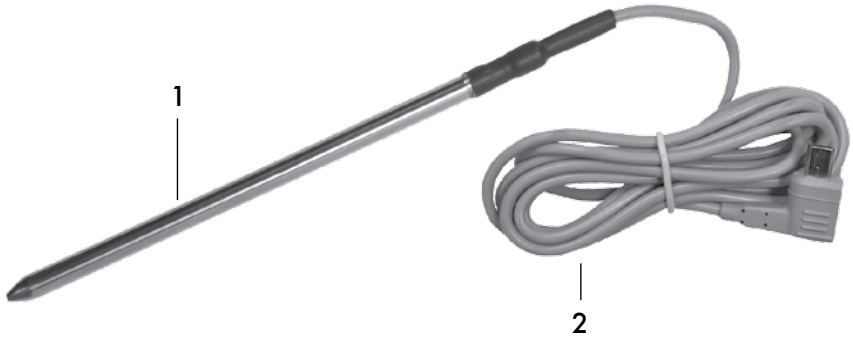
Questions? Contact Customer Support at
(877) 221-1252 or visit www.AcuRite.com.

SAVE THIS MANUAL FOR FUTURE REFERENCE.

ACURITE®

Congratulations on your new AcuRite product. To ensure the best possible product performance, please read this manual in its entirety and retain it for future reference.

Features & Benefits



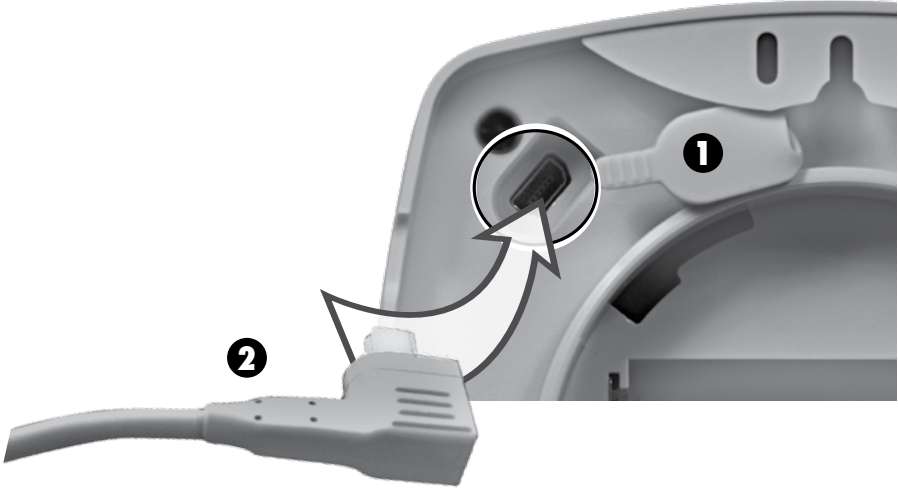
- 1. Liquid & Soil Temperature Sensor**
- 2. 5-ft (1.5m) cord**
Connects Wired Sensor to Monitor
- 3. Zip Ties**
For sensor installation (optional)

Sensor Installation

The Wired Sensor requires a Monitor (sold separately) to be operational, and may also be used with a compatible digital display (optional; sold separately).

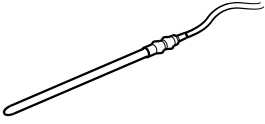
Connect Wired Sensor to Monitor

1. Remove rubber plug from back of Monitor.
2. Plug Wired Sensor into Monitor.



Suggested Uses

The AcuRite Liquid & Soil Temperature Sensor is designed for a wide range of applications and offers a variety of easy placement options. Below are some potential uses for your AcuRite Liquid & Soil Temperature Sensor with suggested placement.

Liquid & Soil Temperature Sensor	Suggested Uses
 <p data-bbox="93 1437 476 1502">Liquid & Soil Temperature Sensor Model 06011RM</p>	<ul data-bbox="529 1258 1000 1502" style="list-style-type: none"> • Preventing frozen pipes • Seeding, potting and gardening • Pool, spa, pond or fountain temperature • Aquariums, cages or tanks • Monitoring refrigerator and/or freezer temperature

Placement Options

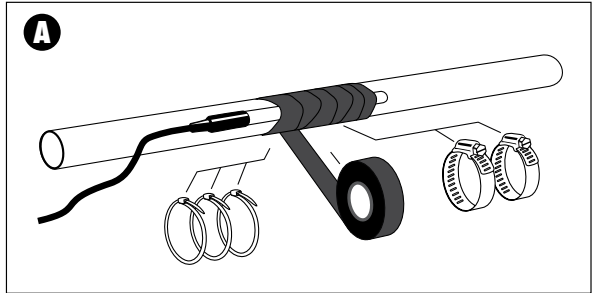
Monitor Pipe Temperature

Frozen pipes can burst, causing serious damage to a home or building. Monitoring pipe temperature can alert you to take action before these conditions occur.

Suggested Placement

Using zip ties (included), hose clamps* or electrical tape (optional; not included), affix the Wired Sensor to a pipe. See Figure (A). Cover the entire pipe and Wired Sensor with a layer of pipe insulation (not included) to isolate the pipe temperature from the ambient air temperature.

*Do not over-tighten hose clamps (optional; not included), as this may damage the Wired Sensor.



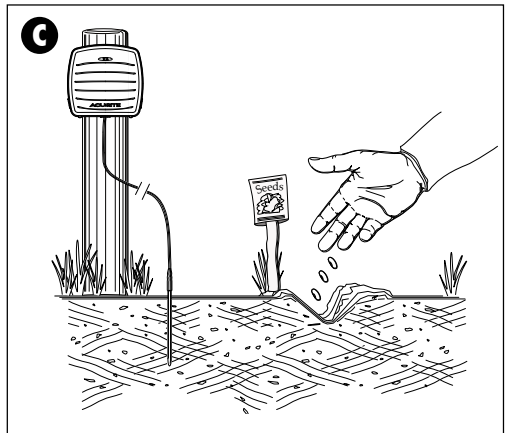
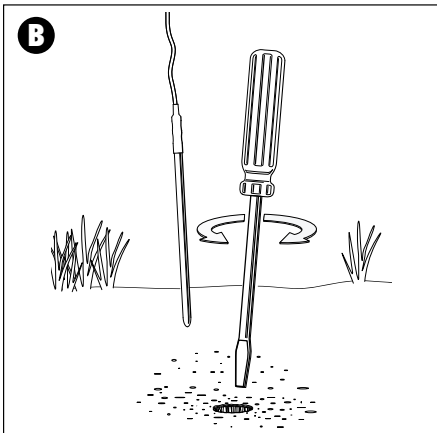
Monitor Soil Temperature

Soil temperature is an important factor in determining optimal planting conditions. Monitor soil temperature throughout the year to ensure a successful growing season.

Suggested Placement

Dig a small hole using a screwdriver, as shown in Figure (B), then insert the Wired Sensor into the hole, as shown in Figure (C). Once inserted, refill the hole with loose soil.

NOTE: Do not attempt to dig a hole using the Wired Sensor, or force it into the soil as this may cause damage.



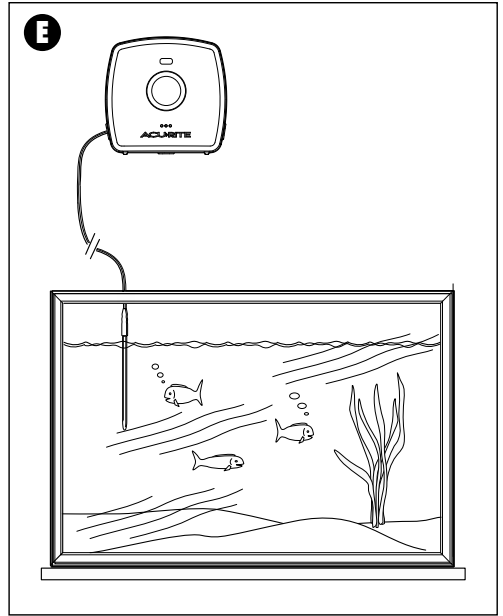
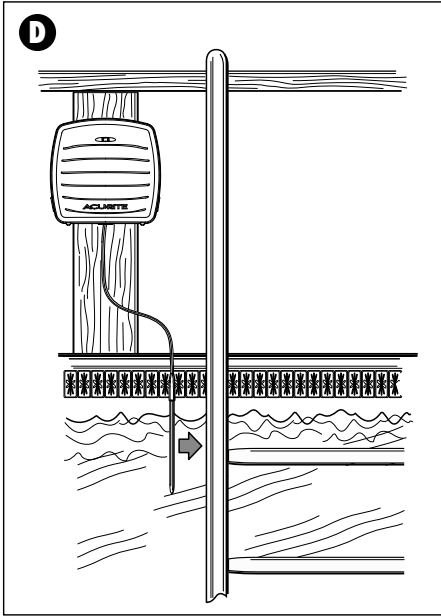
Monitor Liquid Temperature

Maintaining proper temperature ensures comfort and safety in pools or spas, or ideal living conditions for aquatic creatures.

Suggested Placement

Mount the Monitor to a post or wall and submerge the Wired Sensor into the water/liquid. The Wired Sensor should be mounted choosing the installation method that best suits the available mounting point and so that **ONLY** the metal portion of the sensor is submerged. See Figures (D) and (E).

NOTE: The Monitor should **NOT** be placed in an area where liquid could be forced inside.



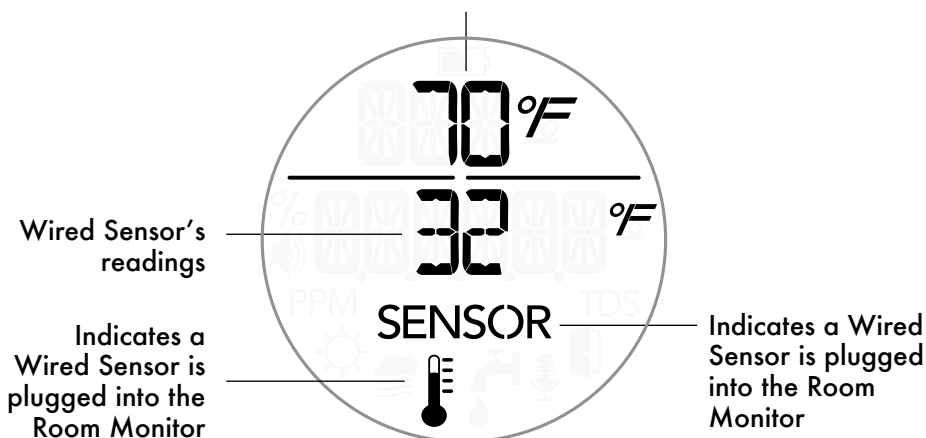
Using the Sensor

The Wired Sensor requires either the Room Monitor or the Outdoor Temperature and Humidity Monitor to be operational. Compatible digital displays are available for both Monitors.

The **Outdoor Monitor** requires a companion unit (ex. digital display).

The **Room Monitor** features a built-in digital display. When using a Wired Sensor with the Room Monitor, the Monitor's temperature and humidity readings move to the top of the display. The display automatically toggles between the Monitor's temperature and humidity data, and the Wired Sensor's readings appear in the middle of the display (pictured below).

Automatically toggles between Monitor's temperature and humidity



Specifications

CORD	5-ft (1.5m) length; Water-resistant
TEMPERATURE RANGE	-40°F to 158°F; -40°C to 70°C
DATA REPORTING	18 second updates

If your AcuRite product does not operate properly, visit www.AcuRite.com or call (877) 221-1252 for assistance. For more information, visit our Knowledge Base at <http://www.AcuRite.com/kbase>

Customer Support

AcuRite customer support is committed to providing you with best-in-class service. **For assistance**, please have the model number of this product available and contact us in any of the following ways:



(877) 221-1252



info@chaney-inst.com

24/7 support at www.AcuRite.com

- ▶ Installation Videos
- ▶ Register your Product
- ▶ Instruction Manuals
- ▶ Support User Forum
- ▶ Replacement Parts
- ▶ Submit Feedback & Ideas

IMPORTANT

PRODUCT MUST BE REGISTERED
TO RECEIVE WARRANTY SERVICE

PRODUCT REGISTRATION

Register online
to receive 1 year
warranty protection

www.AcuRite.com

PNOW

SUPPORT

Support Forum

Archived Products

▶ Register a Product

Limited One Year Warranty

At AcuRite, we proudly uphold our commitment to quality technology. Chaney Instrument Co. warrants that all products it manufactures to be of good material and workmanship, and to be free of defects when properly installed and operated for a period of one year from the date of purchase.

We recommend that you visit us at www.AcuRite.com for the fastest way to register your product. However, product registration does not eliminate the need to retain your original proof of purchase in order to obtain warranty benefits.

Chaney Instrument Co. warrants that all products it manufactures to be of good material and workmanship, and to be free of defects when properly installed and operated for a period of one year from the date of purchase. Remedy for breach of this warranty is limited to repair or replacement of the defective item(s). Any product which, under normal use and service, is proven to breach the warranty contained herein within ONE YEAR from date of sale will, upon examination by Chaney, and at its sole option, be repaired or replaced by Chaney. Transportation costs and charges for returned goods shall be paid for by the purchaser. Chaney hereby disclaims all responsibility for such transportation costs and charges. This

warranty will not be breached, and Chaney will give no credit for products it manufactures which have received normal wear and tear, been damaged (including by acts of nature), tampered, abused, improperly installed, damaged in shipping, or repaired or altered by others than authorized representatives of Chaney.

The above-described warranty is expressly in lieu of all other warranties, express or implied, and all other warranties are hereby expressly disclaimed, including without limitation the implied warranty of merchantability and the implied warranty of fitness for a particular purpose. Chaney expressly disclaims all liability for special, consequential or incidental damages, whether arising in tort or by contract from any breach of this warranty. Some states do not allow the exclusion or limitation of incidental or consequential damages, so the above limitation or exclusion may not apply to you. Chaney further disclaims all liability from personal injury relating to its products to the extent permitted by law. By acceptance of any of Chaney's products, the purchaser assumes all liability for the consequences arising from their use or misuse. No person, firm or corporation is authorized to assume for Chaney any other liability in connection with the sale of its products. Furthermore, no person, firm or corporation is authorized to modify or waive the terms of this paragraph, and the preceding paragraph, unless done in writing and signed by a duly authorized agent of Chaney. This warranty gives you specific legal rights, and you may also have other rights which vary from state to state.

For in-warranty claims: Chaney Instrument Co.
965 Wells St., Lake Geneva, WI 53147

ACU>RITE®



Weather
Stations



Temperature
& Humidity



Weather
Alert Radio



Kitchen
Thermometers
& Timers



Clocks

It's More than Accurate, it's ACU>RITE.

AcuRite offers an extensive assortment of precision instruments, designed to provide you with information you can depend on to Plan your day with confidence™.

www.AcuRite.com