

### **Rain Gauge** model 06034



### **Package Contents**

1. Rain Gauge
2. Mounting Hardware
3. Instruction Manual

## **IMPORTANT**

PRODUCT MUST BE REGISTERED  
TO RECEIVE WARRANTY SERVICE

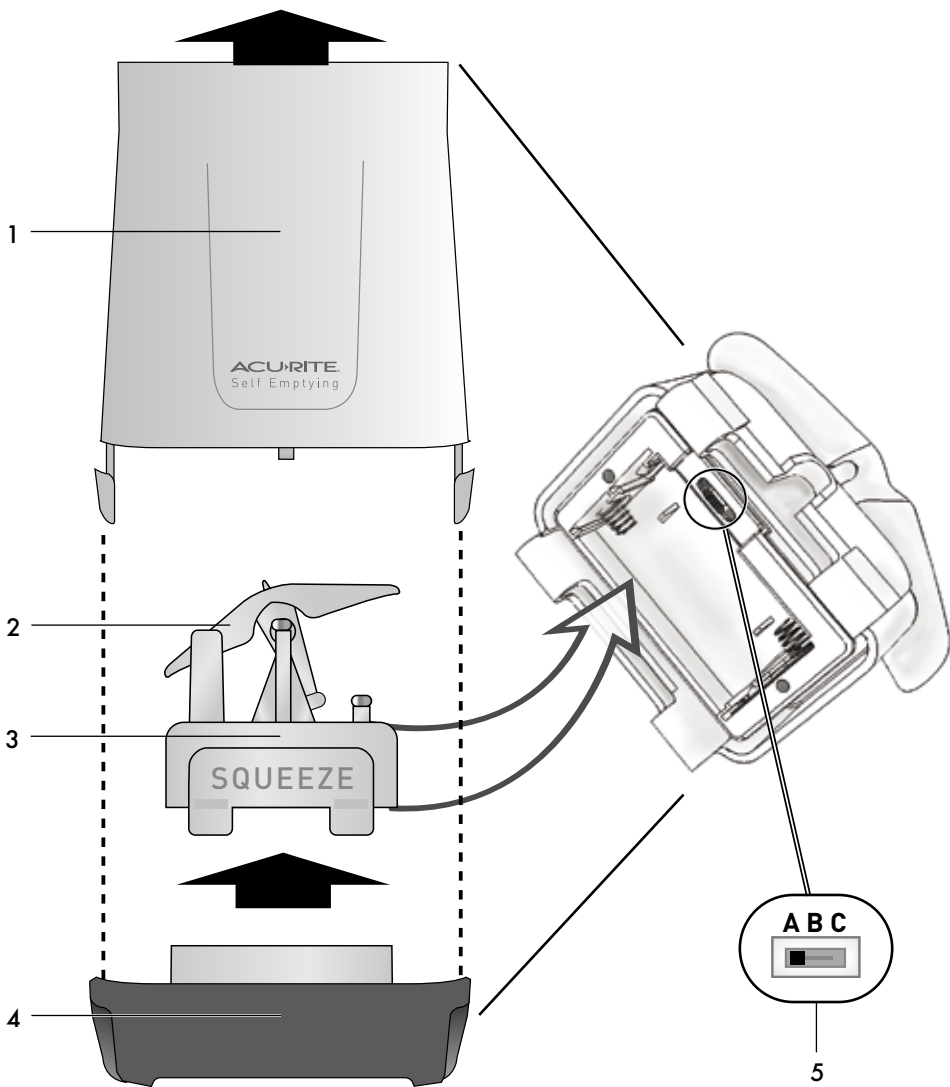
### **PRODUCT REGISTRATION**

Register online to receive 1 year warranty protection

[www.AcuRite.com](http://www.AcuRite.com)

**Questions?** Contact Customer Support at  
(877) 221-1252 or visit [www.AcuRite.com](http://www.AcuRite.com).

## Features & Benefits

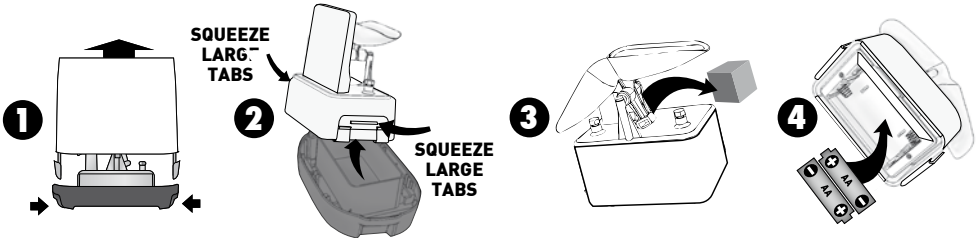


## RAIN GAUGE

- 1. Rain Gauge Cover**
- 2. Rain Gauge Tipping Cups**  
Collects and empties rain for continuous rain measurement.
- 3. Battery Compartment & Electronics Box**
- 4. Rain Gauge Base**
- 5. A-B-C Switch**  
ID code that must match companion unit's A-B-C switch (if applicable) to ensure units synchronize.

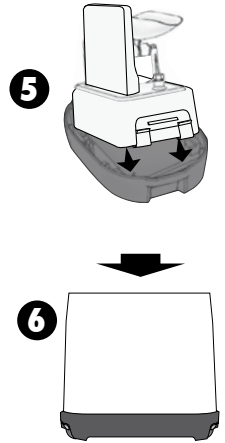
## Install or Replace Batteries

AcuRite recommends high quality alkaline batteries for the best product performance. Heavy duty or rechargeable batteries are not recommended.



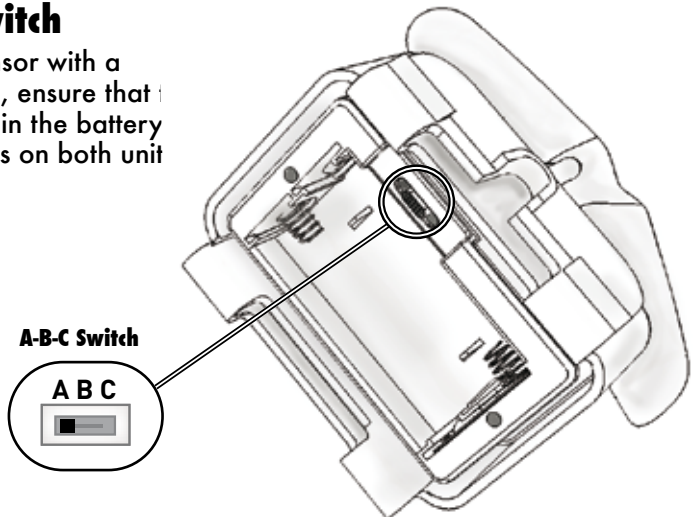
## Rain Collector

1. Separate rain collector cover from the base by gently squeezing tabs and pulling the cover upwards.
2. Remove battery box by squeezing the two tabs on each end together.
3. Remove and discard cardboard rain gauge stabilizer.
4. Insert 2 x AA batteries into the battery compartment as shown. Follow the polarity (+/-) diagram in the battery compartment.
5. Securely place the battery box back into the rain collector base.
6. Securely re-attach the rain collector cover onto rain collector base.



## Set the A-B-C Switch

If you are syncing sensor with a display (not included), ensure that the A-B-C switch, located in the battery compartment, matches on both unit

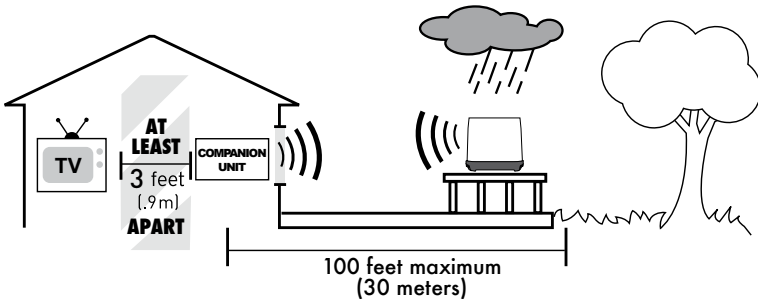


## Placement for Maximum Accuracy

AcuRite sensors are sensitive to surrounding environmental conditions. Proper placement of the rain collector is critical to the accuracy and performance of this product.

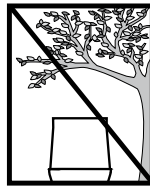
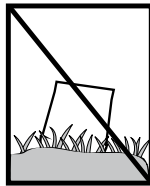
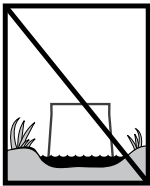
### Important Placement Guidelines

- Companion unit and rain collector must be within 100 ft (30 m) of each other.
- To maximize wireless range and communication, install the rain gauge at least 3 ft (.9 m) above ground. Place the rain gauge away from large metallic items, thick walls, metal surfaces, or other objects that may limit wireless communication.
- To prevent wireless interference, place the collector at least 3 ft (0.9 m) away from electronic devices (TV, computer, microwave, radio, etc.)

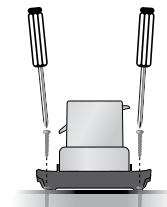
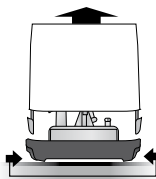


### Rain Collector Installation

- To ensure accurate rain measurement, the rain collector **MUST** be placed on a flat, level surface.
- Ensure the rain collector is not placed in a low spot that could become flooded or in an area where there are obstructions above it.



1. Separate the rain collector cover from the rain collector base.
2. Locate the two holes on the rain collector base.
3. Fasten the rain collector base to a sturdy surface, like a deck railing or a fence post, with screws (included) using hand tools. (Power tools may slip during installation, causing damage to the rain collector.)



# Troubleshooting

<b>Rainfall registering when there's no rain</b>	<ul style="list-style-type: none"><li>• Make sure the rain collector is mounted securely so that it cannot move or sway in the wind. The rain collector should be mounted on a solid and level surface in a clear area away from any overhead obstructions that may block rainfall.</li><li>• Make sure you are using standard alkaline batteries (not heavy duty, max or rechargeable).</li></ul>
<b>Can the rainfall collector remain outdoors in freezing temperatures?</b>	No, the rainfall collector should be brought indoors when there is a possibility of freezing temperatures. Water expands when it freezes. If any water is left within the collector during a freeze, it can crack the plastic and cause permanent damage.

## Calibration

### Calibrate the Rain Gauge

The rain gauge can be calibrated to improve accuracy.

**Items Needed:** rain collector, companion unit, plastic cup, pin, screw driver

1. First, place the rain collector on a level surface.
2. Place the companion unit (i.e. display) close by so you can monitor it during calibration.
3. Make a pin hole in the bottom of a plastic cup. Hold the cup over the rain gauge and fill it with exactly 1 cup (8 oz.) of water, allowing the water to slowly drip into the rain gauge. You should hear the internal cups tipping and see the water drain through the rain gauge.
4. A few seconds after each cup tip, the companion unit will display rainfall in approximately 0.01" (0.2 mm) or more increments.
5. The cup of water should take more than 20 minutes to empty; a quicker period will result in an inaccurate calibration. Try to simulate a normal steady rainfall. When the cup is empty of water, the companion unit should register 1.68" (42.67 mm).

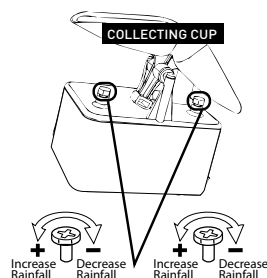
### Tips

- There should be nearly an equal number of water drops between cup tips. If not, then adjust the calibration screws beneath the tipping lever until an equal number of water drops are tipping the cups. Then, restart the calibration procedure.
- If you don't hear the cups tipping and see water dripping alternately out of each drain, there may be an issue with the rain gauge or it's adjustment.

### Adjustment

If the rain gauge doesn't register close to 1.68" (42.67 mm) after the cup is empty, make an EQUAL adjustment to the two calibration screws, located beneath the tipping cups. Turn screws counter-clockwise to increase rainfall; turn screw clockwise to decrease rainfall.

- To adjust the rainfall reading by 2% turn both screws 1/4 of a turn.
- To adjust the rainfall reading by 4% turn both screws 1/2 of a turn.
- To adjust the rainfall reading by 8% turn both screws 1 full turn.



2 CALIBRATION SCREWS

# Care & Maintenance

## Rain Collector Care

Clean with a soft damp cloth. Do not use caustic cleaners or abrasives that could mar the polished surface of the rain collector or tipping cups. If the collector becomes dirty, rain water may not flow correctly through the rain collector. Some environmental conditions may require more frequent, periodic cleaning of the collector. After a cleaning, it is recommend to apply a small amount of liquid water repellent (found in the automotive section) to the tipping cups and collector funnel for optimal rain collection.

The rainfall collector cannot be used in the winter during freezing temperatures. Water expands when it freezes. If any water is left within the unit during a freeze, it can crack the plastic and permanently damage the unit.

## Specifications

<b>RAINFALL MEASUREMENT</b>	0.01 inches (0.25 mm) and up
<b>WIRELESS RANGE</b>	100 ft / 30 m depending on home construction materials
<b>WIRELESS FREQUENCY</b>	433 MHz
<b>POWER</b>	2 x AA alkaline batteries
<b>DATA REPORTING</b>	60 second updates

## FCC Information

This device complies with part 15 of FCC rules. Operation is subject to the following two conditions:

- 1- This device may NOT cause harmful interference, and
- 2- This device must accept any interference received, including interference that may cause undesired operation.

**WARNING:** Changes or modifications to this unit not expressly approved by the party responsible for compliance could void the user's authority to operate the equipment.

**NOTE:** This equipment has been tested and found to comply with the limits for a Class B digital device, pursuant to Part 15 of the FCC rules. These limits are designed to provide reasonable protection against harmful interference in a residential installation. This equipment generates, uses and can radiate radio frequency energy and, if not installed and used in accordance with the instructions, may cause harmful interference to radio communications. However, there is no guarantee that interference will not occur in a particular installation. If this equipment does cause harmful interference to radio or television reception, which can be determined by turning the equipment off and on, the user is encouraged to try to correct the interference by one or more of the following measures:

- Reorient or relocate the receiving antenna.
- Increase the separation between the equipment and the receiver.
- Connect the equipment into an outlet on a circuit different from that to which the receiver is connected.
- Consult the dealer or an experienced radio/TV technician for help.

**NOTE:** The manufacturer is not responsible for any radio or TV interference caused by unauthorized modifications to this equipment. Such modifications could void the user authority to operate the equipment.

This device complies with Industry Canada licence-exempt RSS standard(s).

Operation is subject to the following two conditions:

- (1) This device may not cause interference, and
- (2) This device must accept any interference received, including interference that may cause undesired operation of the device.

## Customer Support

AcuRite customer support is committed to providing you with best-in-class service. **For assistance**, please have the model number of this product available and contact us in any of the following ways:



(877) 221-1252

Visit us at [www.AcuRite.com](http://www.AcuRite.com)

- ▶ Installation Videos
- ▶ Register your Product
- ▶ Instruction Manuals
- ▶ Support User Forum
- ▶ Replacement Parts
- ▶ Submit Feedback & Ideas

# IMPORTANT

PRODUCT MUST BE REGISTERED  
TO RECEIVE WARRANTY SERVICE

## PRODUCT REGISTRATION

Register online to receive 1 year warranty protection

[www.AcuRite.com](http://www.AcuRite.com)

## Limited 1 Year Warranty

AcuRite is a wholly owned subsidiary of Chaney Instrument Company. For purchases of AcuRite products, AcuRite provides the benefits and services set forth herein. For purchases of Chaney products, Chaney provides the benefits and services set forth herein.

We warrant that all products we manufacture under this warranty are of good material and workmanship and, when properly installed and operated, will be free of defects for a period of one year from the date of purchase.

Any product which, under normal use and service, is proven to breach the warranty contained herein within ONE YEAR from date of sale will, upon examination by us, and at our sole option, be repaired or replaced by us. Transportation costs and charges for returned goods shall be paid for by the purchaser. We hereby disclaim all responsibility for such transportation costs and charges. This warranty will not be breached, and we will give no credit for products which have received normal wear and tear not affecting the functionality of the product, been damaged (including by acts of nature), tampered, abused, improperly installed, or repaired or altered by others than our authorized representatives.

Remedy for breach of this warranty is limited to repair or replacement of the defective item(s). If we determine that repair or replacement is not feasible, we may, at our option, refund the amount of the original purchase price

**THE ABOVE-DESCRIBED WARRANTY IS THE SOLE WARRANTY FOR THE PRODUCTS AND IS EXPRESSLY IN LIEU OF ALL OTHER WARRANTIES, EXPRESS OR IMPLIED. ALL OTHER WARRANTIES OTHER THAN THE EXPRESS WARRANTY SET FORTH HEREIN ARE HEREBY EXPRESSLY DISCLAIMED, INCLUDING WITHOUT LIMITATION THE IMPLIED WARRANTY OF MERCHANTABILITY AND THE IMPLIED WARRANTY OF FITNESS FOR A PARTICULAR PURPOSE.**

We expressly disclaim all liability for special, consequential, or incidental damages, whether arising in tort or by contract from any breach of this warranty. Some states do not allow the exclusion or limitation of incidental or consequential damages, so the above limitation or exclusion may not apply to you.

We further disclaim liability from personal injury relating to its products to the extent permitted by law. By acceptance of any of our products, the purchaser assumes all liability for the consequences arising from their use or misuse. No person, firm or corporation is authorized to bind us to any other obligation or liability in connection with the sale of our products. Furthermore, no person, firm or corporation is authorized to modify or waive the terms of this warranty unless done in writing and signed by a duly authorized agent of ours.

In no case shall our liability for any claim relating to our products, your purchase or your use thereof, exceed the original purchase price paid for the product.

### Applicability of Policy

This Return, Refund, and Warranty Policy applies only to purchases made in the United States and Canada. For purchases made in a country other than the United States or Canada, please consult the policies applicable to the country in which you made your purchase.

Additionally, this Policy applies only to the original purchaser of our products. We do not and do not offer any return, refund, or warranty services if you buy products used or from resale sites such as eBay or Craigslist.

### Governing Law

This Return, Refund, and Warranty Policy is governed by the laws of the United States and the State of Wisconsin. Any dispute relating to this Policy shall be brought exclusively in the federal or State courts having jurisdiction in Walworth County, Wisconsin; and purchaser consents to jurisdiction within the State of Wisconsin.

# ACU>RITE®



Weather  
Stations



Temperature  
& Humidity



Weather  
Alert Radio



Kitchen  
Thermometers  
& Timers



Clocks

*It's More than Accurate, it's ACU>RITE.*

AcuRite offers an extensive assortment of precision instruments, designed to provide you with information you can depend on to Plan your day with confidence™.

[www.AcuRite.com](http://www.AcuRite.com)

©Chaney Instrument Co. All rights reserved. AcuRite is a registered trademark of the Chaney Instrument Co., Lake Geneva, WI 53147. All other trademarks and copyrights are the property of their respective owners. AcuRite uses patented technology. Visit [www.AcuRite.com/patents](http://www.AcuRite.com/patents) for details.